

SPECIFICATIONS

FUNCTION:
2P1T OFF-ON

RATINGS:
ANSI/UL 1054 and CAN/CSA C22.2 No. 55 (E194579):
16A 125VAC [UR, cUR]
10A 250VAC [UR, cUR]
1/3HP 125/250VAC [UR, cUR]

EN 61058-1:2002:
10(4)A 250V~ μ 1E4 T125/55 [ENEC14]
10(2)A 250V~ μ 5E4 T85/55 [ENEC14]

CONTACT RESISTANCE:
Initial: 35mΩ Max. at 50VAC

INSULATION RESISTANCE:
100MΩ Min. at 500VDC

DIELECTRIC STRENGTH:
1,500VAC For 1 Minute

ELECTRICAL LIFE:
6,000 Cycles [UR, cUR]
10,000 Cycles [ENEC14: 10(4)A 250V~]
50,000 Cycles [ENEC14: 10(2)A 250V~]

TEMPERATURE:
Operating: -20°C to 105°C [UR, cUR]
Operating: -20°C to 125°C [ENEC14: 10(4)A 250V~]
Operating: -20°C to 85°C [ENEC14: 10(2)A 250V~]

APPROVALS:
 RoHS COMPLIANT

OBSOLETE
June 2018
PCR 23427

COLORS AND MARKINGS

BODY:
Black

ACTUATOR:
Black

MARKING:
ON/OFF Vertical

MARKING COLOR:
White

MATERIALS

BODY:
Polyamide 6/6 (PA66), UL94 V-2

ACTUATOR:
Polyamide 6/6 (PA66), UL94 V-2

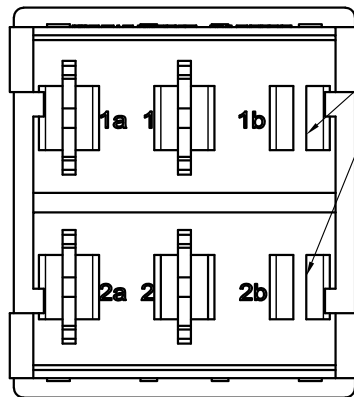
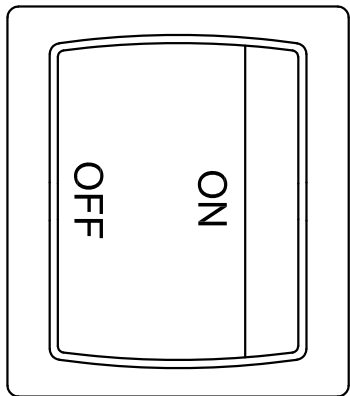
SPRING:
Steel

BALL:
Steel

MOBILE CONTACT:
Silver Alloy

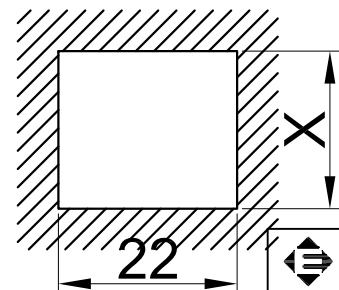
CONTACTS:
Silver Alloy

TERMINALS:
Silver Plated Copper



EXTRA TERMINAL HOLES OPEN (STANDARD)

PANEL HOLE SIZE



Panel Thickness	X
0.75-1.25	19.2
1.25-2.0	19.4
2.0-3.0	19.6

REV.	DATE	BY
A	09/08/17	CAB
A	09/08/17	CAB
A	09/08/17	CAB

THE INFORMATION CONTAINED IN THIS DOCUMENT IS PROPRIETARY TO E-SWITCH-LAMB INDUSTRIES AND IS NOT TO BE COPIED OR TRANSFERRED

REV.	DESCRIPTION	DATE	DRAWN BY
A	INITIAL RELEASE	4/10/14	EBP
B	LEAVE EXTRA TERMINALS OPEN. (SEE Z111 PART FOR FILLED)	6/11/14	EBP
		21476	
		21431	

DIMENSIONS	
INCHES [MILLIMETERS]	
GENERAL TOLERANCES	
±0.008 [±0.2] / ±1'	
SCALE	PROJECTION
DRAWING NOT TO SCALE	1st ANGLE

E-SWITCH **LAMB INDUSTRIES**

RA432C1123

DRAWING NUMBER: 38-RA432C1123 DATE: 4/10/14 REVISION: B